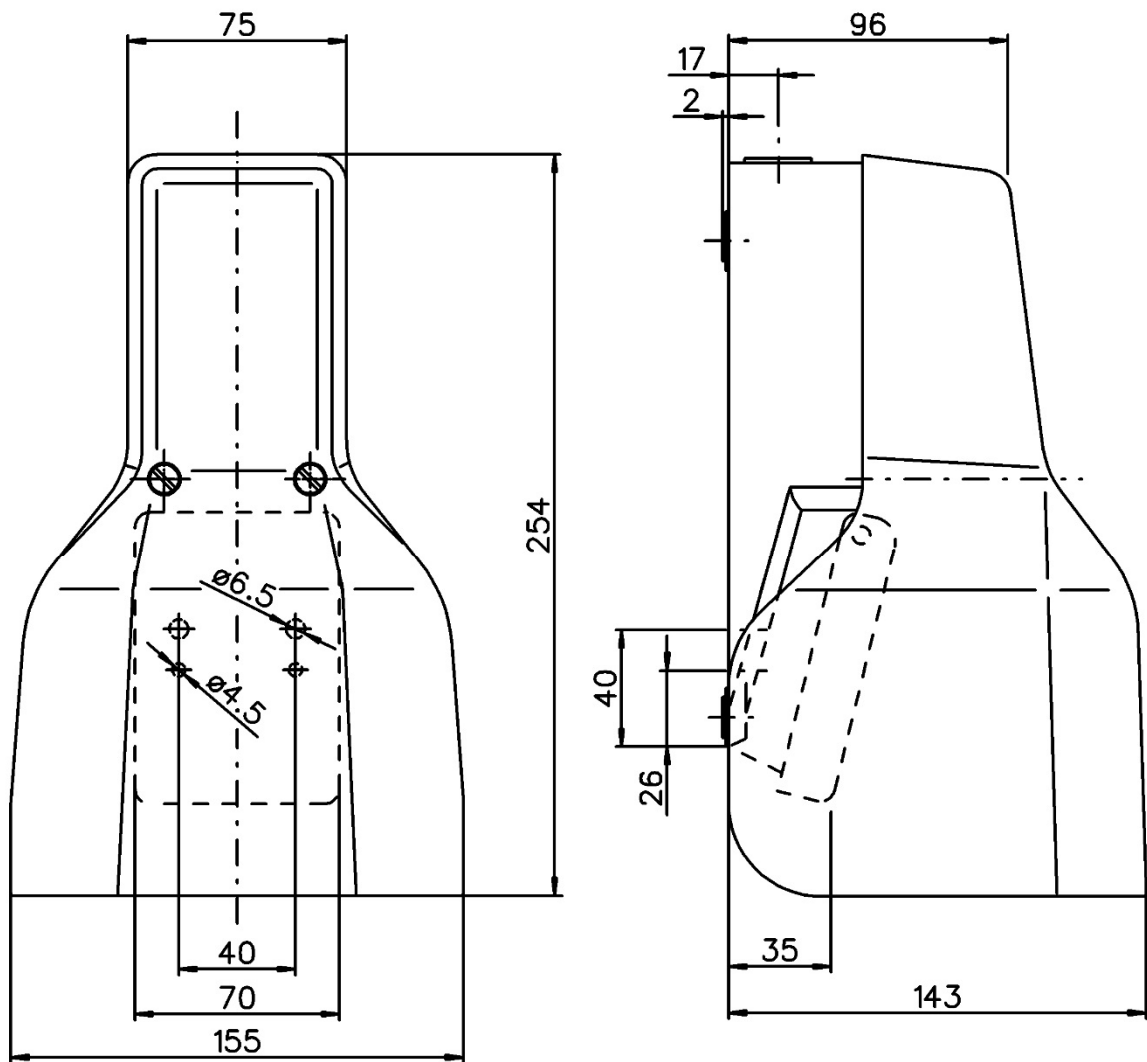


Datasheet Foot switch

Discription:

FS1 PVO 1 U

Article number: **8036 0855**



Datasheet Foot switch

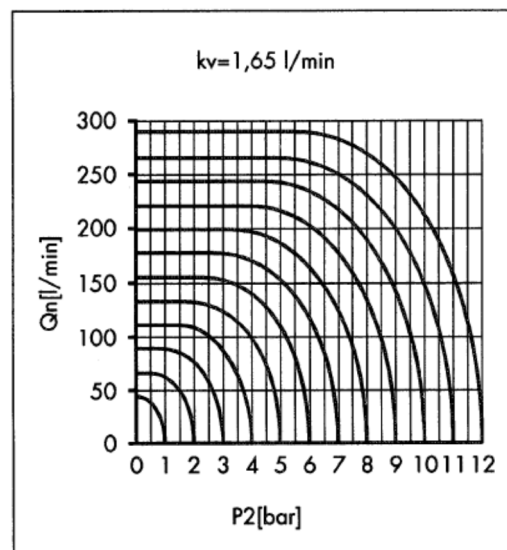
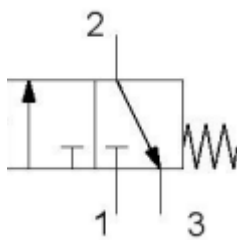
Discription:

FS1 PVO 1 U

Article number: **8036 0855**

General data:

Design	1-pedal aluminium foot switch, heavy version, Free standing on non-slip rubber feeds
Housing	Aluminium die-cast alloy, powder-coated-black grey RAL 7021.
Pedal	PA 6.6 glass fibre-reinforced, black grey.
Cover	Aluminium die-cast, powder-coated-red RAL 3000. Hook-in fastening and two screws from above
Tube inlet	M20x1,5
switching valve	3 / 2 Way Poppert Valve
Pressure range	0 – 12 bar
Switching force	ca. 22 N (at 6 bar)
Ambient air temperature	-10°C to +70°C
Connection	Push on connection 4mm
Operating medium	5 micron filtererd, lubricated or non.lubricated compressed air; also suitable for other media conforming to ISO-VG 10.



Sonderheiten

- Other colors for Pedal, Lever, Housing or Cover, on request
- Top with 4 Screws from below available.
- Pedal in Aluminium-die-cast powder-coated available